

Colly **Filter**



Pharmaceutical



SIC Series

**FILTER HOUSINGS
SANITARY FLUID FILTRATION**



APPLICATIONS

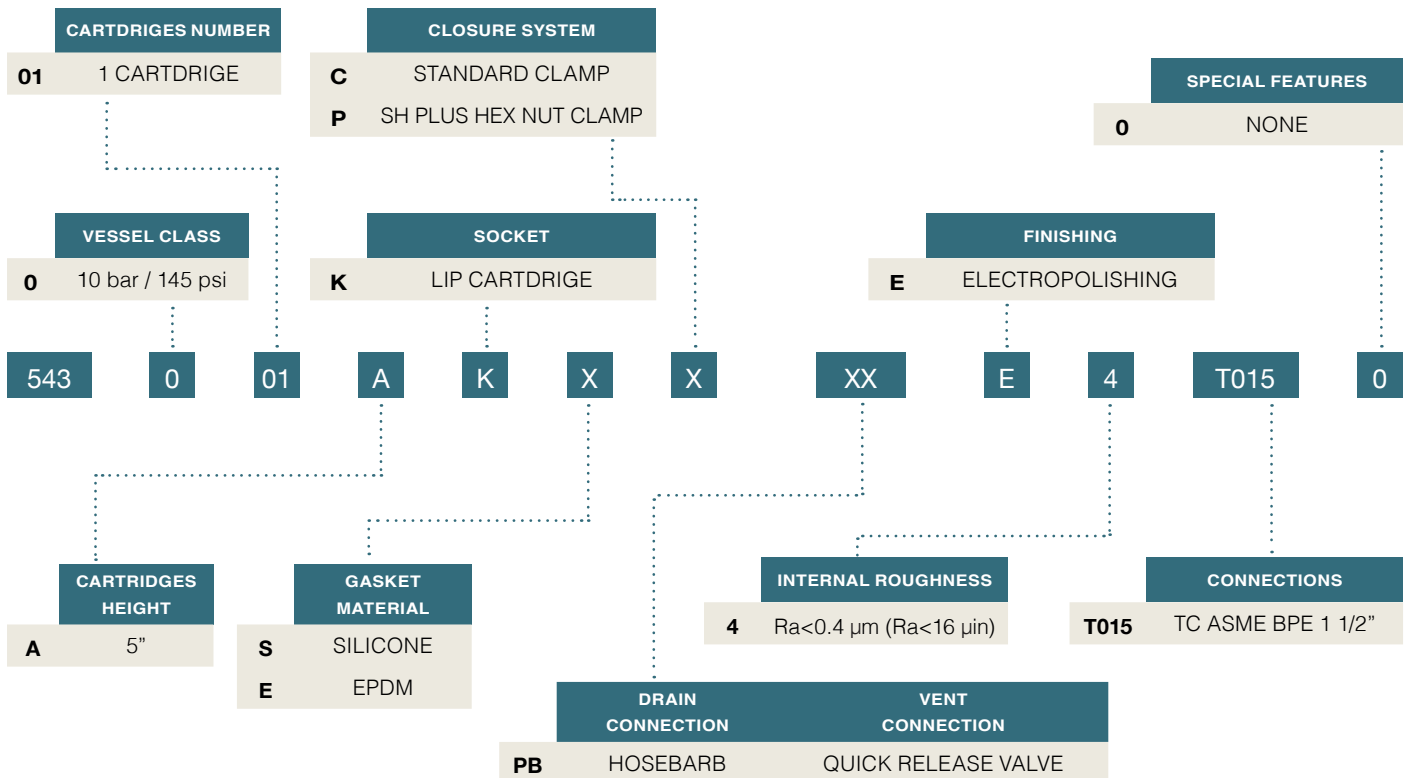
Fine Filtration of liquids Fine filtration of gas and sterile air

FEATURES AND BENEFITS

Versatile design Inline filter housings for small-scale production, available with 5" bowl height, can fit 2.5" and 5" cartridges. Manufactured in stainless steel AISI 316 L for Pharmaceutical applications. Working conditions up to 10bar (145psi) at 150°C (302°F).

- **Single cartridge in 5"**, Lip-Cartridge socket and Tri-Clamp 1.5" I/O connections
- **Base double seal enchase sealing mechanism ensures downstream section of process will never be contaminated**
- **Lateral sanitary bleed valve vent option for in-situ integrity testing**
- **Pharma grade surface finishing**
- Sanitary crevice free hygienic design and electropolished surfaces guarantee enhanced cleanability
- Clean-In-Place and Steam-Sterilizable Up to 150°C (302°F)
- **AISI 316L, 1.4404, Stainless Steel and automatic welding ensure corrosion resistance and durability**
- Food grade compliance (CE 1935/2004)
- Wide choice of FDA and USP Class VI Gasket Materials
- Materials full traceability
- Designed according to Pressure Equipment Directive (PED)
- Meets Certification according to Atmosphere Explosible, ATEX, Compliance
- **Wide range certificates available upon request (Material Certificate, Roughness, FDA, UPS CL IV, Final Inspection, Hydraulic Test, Cleanliness, Electropolishing, Welding Map)**
- Laser etched customizable logo
- Customizable with optional accessories and features on request
- User Manual and Declaration of Conformity included

SELECTION CRITERIA

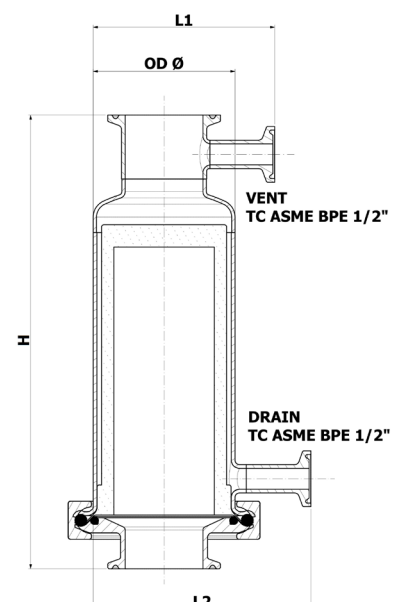
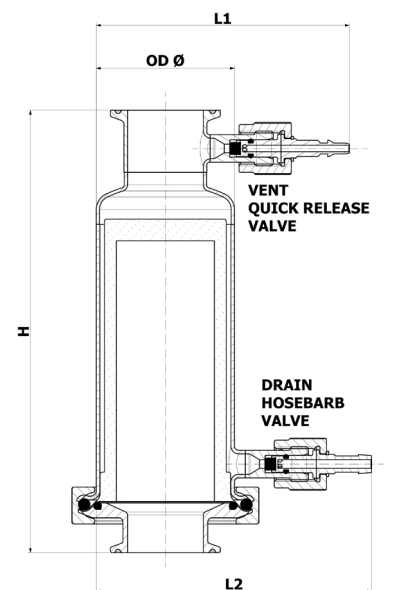


SPECIFICATIONS

Dimensions are for standard housings with TC connections. More options available on request. All dimensions are in mm (inches).

No Cartridges	Cartridge Height	L1	L2	H	OD
1	5"	116 mm (4.56") ÷ 120 mm (4.72")	127 mm (4.56") ÷ 131 mm (4.72")	204 mm (8.02")	63.5 mm (2.5")
1	5"	81 mm (3.18")	98 mm (3.85")	204 mm (8.02")	63.5 mm (2.5")

Materials of Constructions	AISI 316L / 1.4404
No. Of Cartridges	1
Cartridges Height	5"
Cartridge Socket	LIP CARTRIDGE
In/Out Connections	TC ASME BPE 1 1/2"
Drain	HOSEBARB, TC ASME BPE 1/2"
Vent	QUICK RELEASE VALVE, TC ASME BPE 1/2"
Pressure (PS) min-max	-1 ÷ 10 bar (-14 ÷ 145 psi)
Temperature (TS) min-max	0 ÷ 150°C (32 ÷ 302°F)
External Surface	Fine Brushed and Electro Polished: Ra<1.2µm (Ra<48µin)
Internal Surface	Mirror Polished and Electro Polished: Ra<0.4µm (Ra<16µin)
ATEX Regulation	Compliant with EU Directive
PED 2014/68/EU	Liquid and Gas, PED Fluid Group 1&2
Design Code	EN 13445



ACCESSORIES

Full list of accessories and spare parts available on request.