

Colly **Filter**



Food & Beverage



Industrial

CMP Series

**FILTER HOUSINGS
LIQUID & GAS FILTRATION**

APPLICATIONS

Food & Beverage fluids
 Technical gases

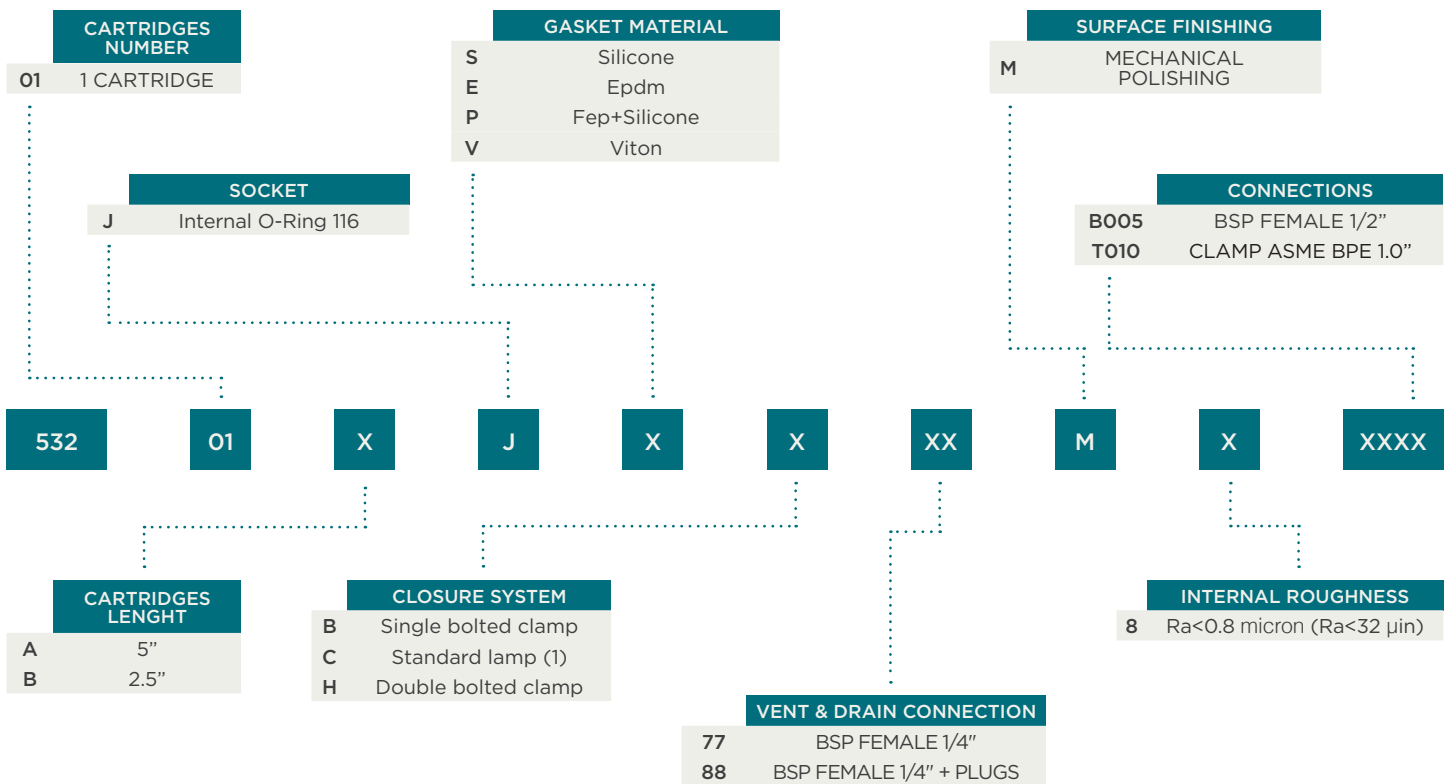


FEATURES & BENEFITS

Single cartridge filter housing, designed to enhance drainability for food and beverage applications.

- Single cartridge 2.5" and 5"
- Food and beverage grade surface finishing
- Suitable for SIP and CIP
- Materials full traceability
- 316L/1.4404 Stainless Steel and automatic welding ensure corrosion resistance and durability
- Designed according to Pressure Equipment Directive (PED)
- ATEX Compliance
- Food Grade Compliance: CE 1935/2004
- Gasket Compliance: FDA - USP Class VI
- Proprietary closure systems simplify operations
- Customizable with optional accessories
- Certificates: 3.1 EN 10204
- User-manual and declaration of conformity included

SELECTION CRITERIA

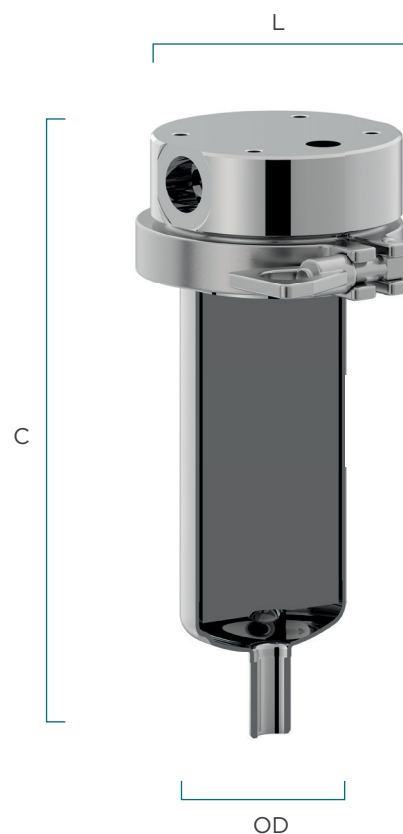


SPECIFICATIONS

Dimensions are for housings with TC connections. Other information available on the technical documentation.
All dimensions are in mm (inches).

No Cartridges	Cartridges Height	L	C	OD
1	2.5"	78 (3.07)	112 (4.41)	63.5 (2.50)
1	5"	78 (3.07)	198 (7.80)	63.5 (2.50)

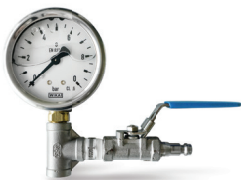
Material of Construction (Wetted Parts)	316L / 1.4404
No. Of Cartridges	1
Cartridge Socket	Internal O-Ring 116
In/Out Connections	BSP, Clamp ASME BPE
Drains and Vent	BSP
Pressure (PS) min-max	-1 ÷ 10 bar (-14 ÷ 145 psi)
Temperature (TS) min-max	-20° ÷ 150°C (-4° ÷ 302°F)
External Surface	Mirror Polishing
Internal Surface	Mirror Polishing
Internal Roughness	Ra<0.8µm (Ra<32µin)
ATEX Regulation	Compliant with EU Directive
PED 2014/68/EU	Liquid and Gas, PED Fluid Group 1&2
Design Code	EN 13445
Gasket Compliance	EU 1935/2004 - FDA - USP VI



ACCESSORIES

Full list of accessories and spare parts available on request.

VENT BSPM BALL VALVE



BALL VALVE HOSE ADAPTER

